

LED modules

- self made LED fixtures
- easy to use
- low cost
- CV supply
- CC supply



Futuro
Lighting
design

2015

LED module SHF8-24

*Build your own LED solutions
Constant Voltage version*



Long LIFE
> 140 lm/W



Specification:
LED brands:
Samsung, OSRAM, LG
CRI > 80
CCT: 3000 K (warm)
or 4000 K (neutral)
or 6500 K (cold)

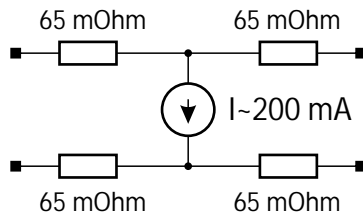
Dimensions: 8 x 2,5 x 249,5 mm
Weight: 9,1 gram

Connections:
soldering pins 2 x 1,2 mm

LED distance: 11.8 mm
PCB core: MCPCB 1.5mm
(metal core PCB)

Configuration: 7S3P
Supply: 24VDC CV
Supply current ~ 0,2 A
Supply power ~ 4,8 W (19 W/m)

simplified electrical model:



Note: module is possible to divide into 3 independent parts
Segment length: 83,2 mm, Supply current per segment ~ 60 mA

Power lines (+/-)
Serial resistance : 0,13 Ohm / module and line



Other module sizes, power,
configurations, etc. on Request.



LED module SHF8

*Build your own LED solutions
Constant Current version*



Long LIFE
> 150 lm/W



Specification:
LED brands:
Samsung, OSRAM, LG
CRI > 80
CCT: 3000 K (warm)
or 4000 K (neutral)
or 6500 K (cold)

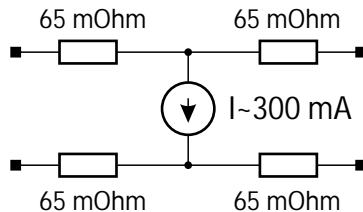
Dimensions: 8 x 2,5 x 249,5 mm
Weight: 9,1 gram

Connections:
soldering pins 2 x 1,2 mm

LED distance: 11.8 mm
PCB core: MCPCB 1.5mm
(metal core PCB)

Configuration: 7S3P
Supply: 0-0,3 A CC
Supply Voltage ~ 21 VDC
Supply power ~ 7,2 W (28 W/m)

simplified electrical model:



Note: module is possible to divide into 3 independent parts
Segment length: 83,2 mm

Power lines (+/-)
Serial resistance : 0,13 Ohm / module and line



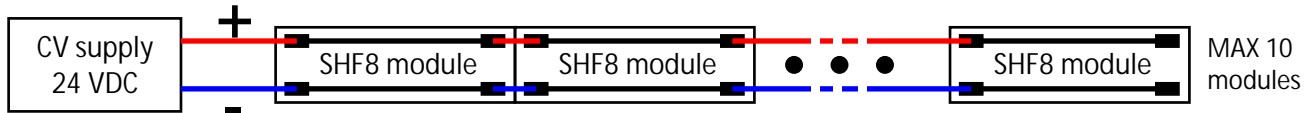
Other module sizes, power,
configurations, etc. on Request.



LED module SHF8-24

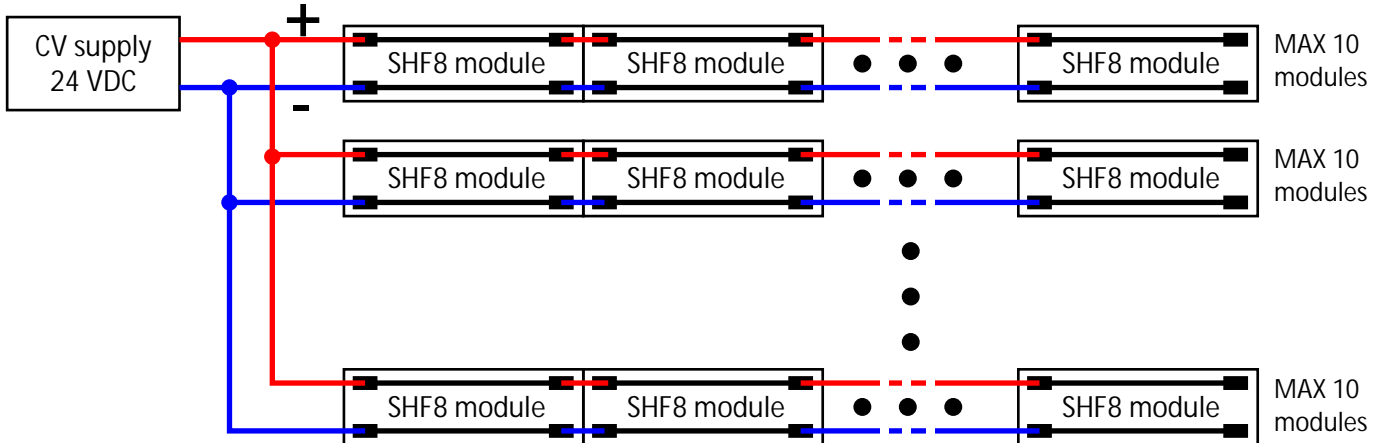
Recommended connections

Low power installation < 2m



Maximum power line current 3A
Recommended to connect 10 modules max

High power installation > 2m

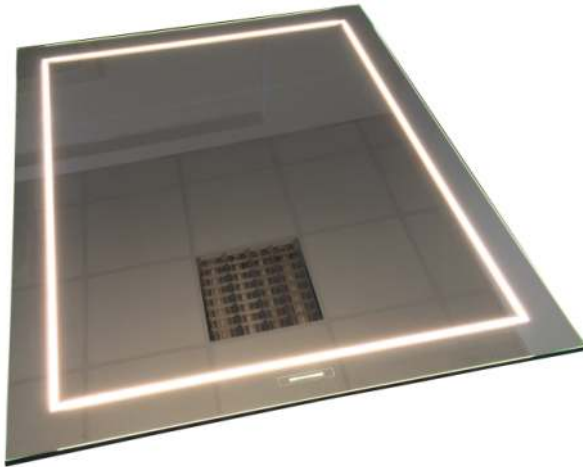
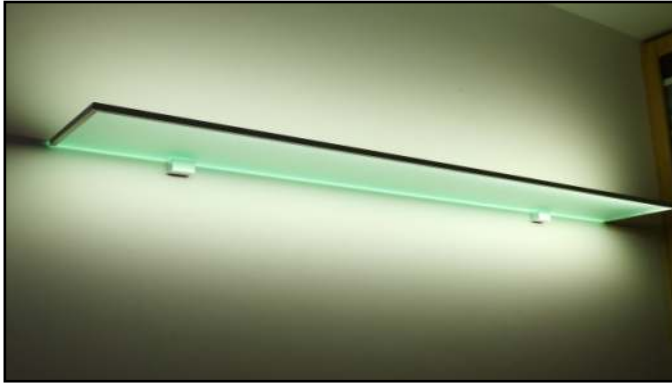


Note: Use appropriate wire AWG to minimize voltage drop

IMPORTANT: Based on installation, It is recommended to thermally attach modules to appropriate heatsink by help of thermoconductive glues or tapes in order to increase the module lifetime

LED module SHF8-24

Applications



- Self made fixtures
- advertisement panels
- lighting shelves
- lighting mirrors
- indirect illumination projects
- fridge illuminations
- aquarium fixtures
- long life linear lighting projects
- design fixtures
- many others